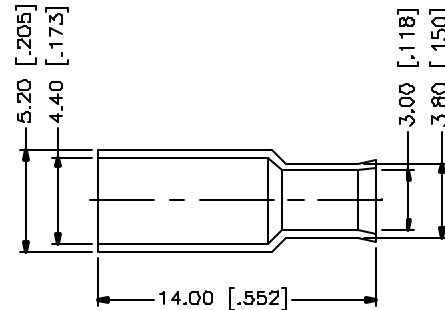
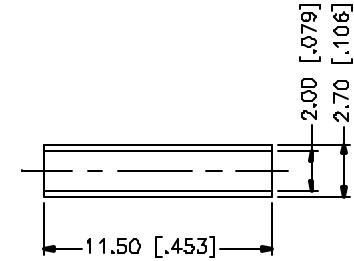
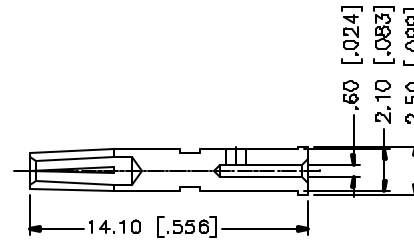
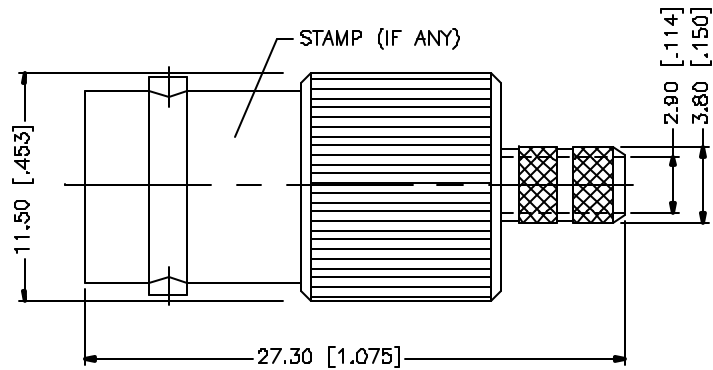
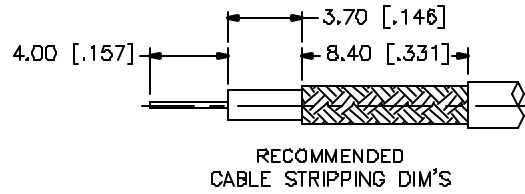


REV.	DATE	DESCRIPTION
A	03/31/05	CHANGE TO .60 [.024] CENTER CONTACT



CRIMP NOTES:

1. CRIMPED FERRULE  
HEX CRIMP SIZE .178"
2. CRIMPED CONTACT PIN,  
HEX CRIMP SIZE .068"

REV.	DATE	DESCRIPTION				
A	03/31/05	CHANGE TO .60 [.024] CENTER CONTACT				
8						
7						
6						
5	FERRULE	BRASS NICKEL 1				
4	SLEEVE	DELNIN NATURAL 1				
3	CONTACT PIN	PHOS. BRONZE GOLD 1				
2	INSULATOR	DELNIN NATURAL 1				
1	BODY	BRASS NICKEL 1				
	DESCRIPTION	MATERIAL FINISH QTY				
UNLESS OTHERWISE SPECIFIED DIMENSIONS ARE IN MILLIMETERS DIMENSIONS IN [ ] ARE IN INCHES AND FOR CUSTOMER REFERENCE ONLY.		APPROVALS	DATE	<h1 style="color: blue; margin: 0;">Amphenol Connex</h1> <p style="text-align: center; margin: 0;">BNC CRIMP JACK (.60 [.024] I.D CONTACT)</p> <p style="text-align: center; margin: 0;">PART NO. 112161-10</p>		
UNLESS OTHERWISE SPECIFIED TOLERANCES FOR MILLIMETERS ARE: 0.5 - 8mm ± 0.20mm 8 - 30mm ± 0.40mm 30 - 120mm ± 0.50mm		DRAWN G.R.S.	03/31/05			
UNLESS OTHERWISE SPECIFIED TOLERANCES FOR INCHES ARE: .020 - .315 = ± 0.007" .315 - 1.180 = ± 0.015" 1.180 - 4.724 = ± 0.020"		CHECKED				
DO NOT SCALE DRAWING		ISSUED				
		SHEET 1 OF 1				
		CAD FILE C:/112/112161-10.DWG	DWG. NO. 112161-10.DWG	REV. A	SIZE A	SCALE NA